

2024

Benson Energy Saving Technology

Clean Room Luminaires Catalogue

Application

- Food production facilities and kitchens
- Hospitals and Care Centers
- Clean production areas



Benson Energy Saving Technology Cleanroom selection: LED luminaires with T8 LED tubes.

These clean room luminaires are compliant with all relevant standards (CE, EMC, RoHS)

Benefits

- Low maintenance costs due to long lifetime of the luminaire and LED tubes
- LED tubes can be customized for different applications.
- Light source replaceable (T8 LED tubes: Special yellow LED tubes, flicker-free LED tubes, Sensor dim LED tubes, Microwave sensor/PIR sensor integrated LED tubes, 0-10V/PWM/TRIAC dimmable LED tube sets)
- Luminous efficacy can be up to 160lm/W. (general lighting only)

BEST
Benson Energy Saving Technology

Designed For
SEMICONDUCTOR CLEAN ROOM

G13 Cap-Base

100 V | 277 V

9, 15, 18, 23 Watt

600, 900, 1200, 1500 mm

50000hrs LIFETIME

YELLOW LED LIGHTING
INDUSTRIAL LIGHTING

Cut - off under 500nm

CE, RoHS

Frequency spectrum graph showing a peak at 590nm and a cut-off at 500nm.

APPROVED

BEST
Benson Energy Saving Technology

Flicker-free technology

The BEST LED lighting for Semiconductor Industry

Frequency	120.0313
SVM	0.0021
PatLM	0.1416

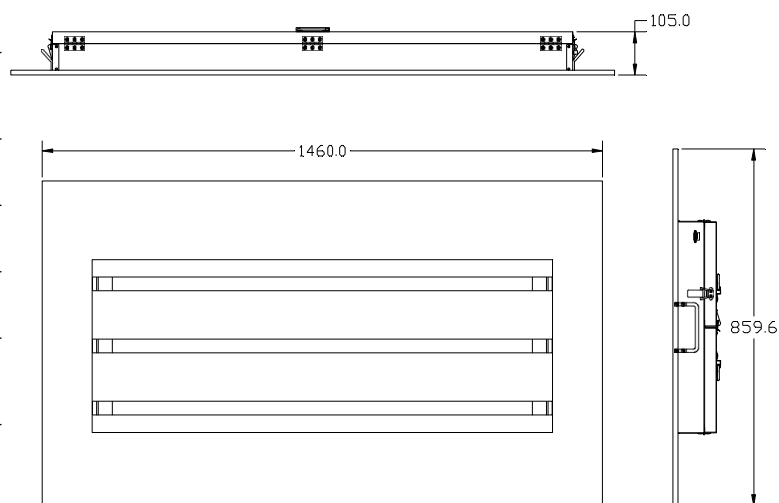
Capture, Dark Calibration, Save Report

Recessed clean room with top access



Specification

Housing	High Quality white powder coated with aluminum body
Cover	Clear glass
Voltage	220V
Installation	Recessed with top access
Ambient temperature	0°C~40°C · Humidity>90%
Note	<ul style="list-style-type: none"> ■ For T8 3.5ft LED tubes *3 Specification of LED tubes will be offered separately



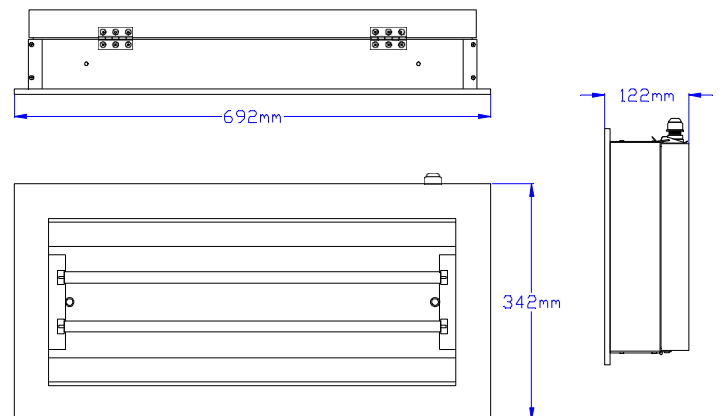
ITEM	BEST MATCH LED TYPE	SIZE OF LUMINAIRE
BEST-R7108-CL	T8 3.5ft LED tubes*3 (1047mm)	L1165 mm W 565 mm H110 mm

Recessed clean room with top access



Specification

Housing	High Quality white powder coated with aluminum body
Cover	Clear glass
Voltage	100~277V
Installation	Recessed with top access
Ambient temperature	0°C~40°C · Humidity>90%
Note	<ul style="list-style-type: none"> ■ For T8 2ft LED tubes *2 Specification of LED tubes will be offered separately



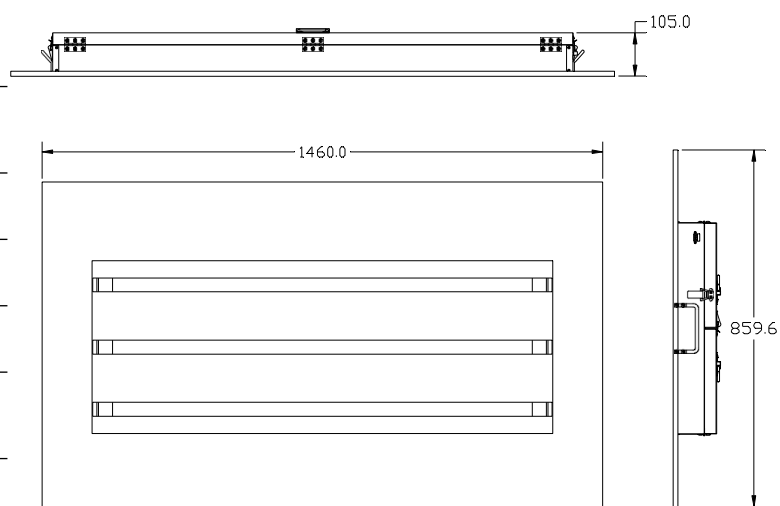
ITEM	BEST MATCH LED TYPE	SIZE OF LUMINAIRE
BEST-R1001	T8 2ft LED tubes*2	L 692mm W 342mm H 122mm

Recessed clean room with top access



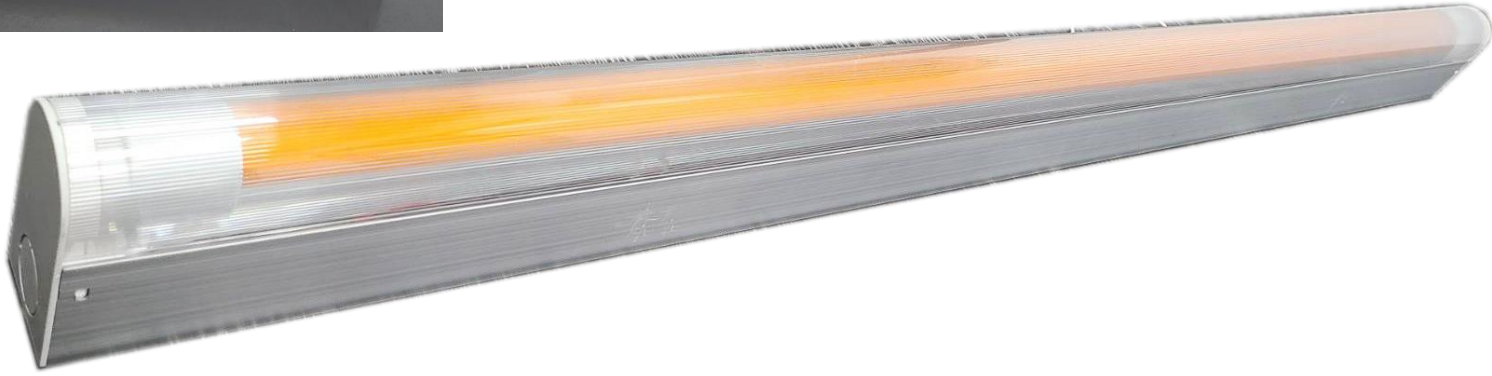
Specification

Housing	High Quality white powder coated with aluminum body
Cover	Clear glass
Voltage	100~277V
Installation	Recessed with top access
Ambient temperature	0°C~40°C · Humidity>90%
Note	<p>■ For T8 4ft LED tubes *3</p> <p>Specification of LED tubes will be offered separately</p>



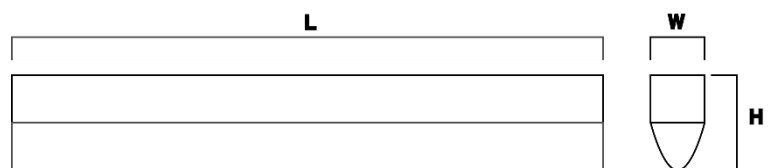
ITEM	BEST MATCH LED TYPE	SIZE OF LUMINAIRE
BEST-R1002	T8 4ft LED tubes*3	L 1460mm W 859.6mm H 105mm

Teardrop surface mounted



Specification

Housing	High Quality white coating with aluminum body
Cover	Plastic
Voltage	110~277V
Installation	surface mounted
Ambient temperature	0°C~40°C · Humidity>90%
Note	<ul style="list-style-type: none"> ■ For T8 2ft, 4ft LED tubes *1 Specification of LED tubes will be offered separately



ITEM	BEST MATCH LED TYPE	SIZE OF LUMINAIRE
BEST-CRL001-T82F	T8 2ft LED tubes*1	L 624mm W 500mm H 97mm
BEST-CRL001-T84F	T8 4ft LED tubes*1	L 1220mm W 500mm H 97mm

Individual surface mounted

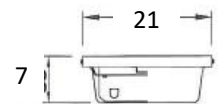
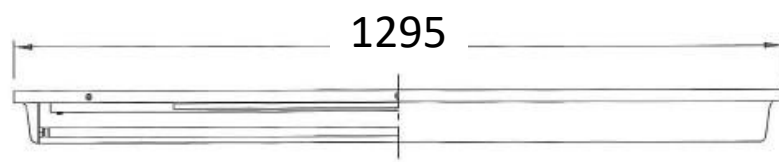


Specification

Housing	Aluminum
Cover	Plastic
Voltage	110~277V
Installation	surface mounted

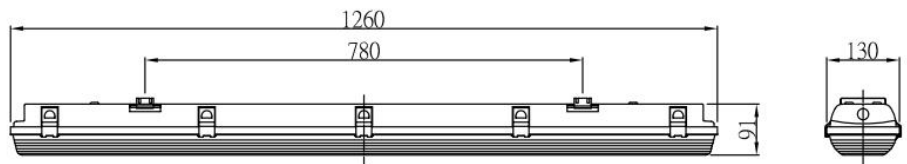
Ambient temperature 0°C~40°C · Humidity>90%

Note ■ For T8 4ft LED tubes *2
Specification of LED tubes will be offered separately



ITEM	BEST MATCH LED TYPE	SIZE OF LUMINAIRE
BEST-CRL002-T84F	T8 4ft LED tubes*2	L 1295mm W 210mm H 70mm

IP65 Tri-proof LED Ceiling lamp



Specification

Housing	PC material in one-piece molding Stainless steel buckles Waterproof gasket IP 65 protection
Cover	Plastic
Voltage	110~277V
Installation	Surface mounted
Ambient temperature	0°C~40°C · Humidity>90%
Note	<ul style="list-style-type: none"> ■ For T8 4ft LED tubes *2 Specification of LED tubes will be offered separately

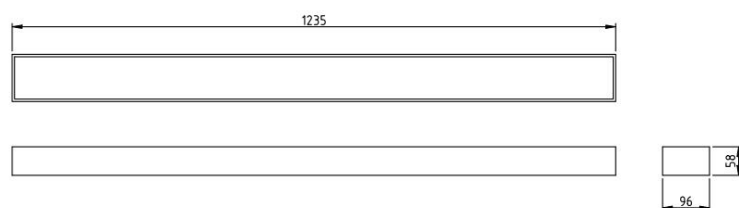
ITEM	BEST MATCH LED TYPE	SIZE OF LUMINAIRE
BEST-CRL003-T84F1	T8 4ft LED tube*1	L1260mm W96mm H91mm
BEST-CRL003-T84F2	T8 4ft LED tubes*2	L 1260mm W 130mm H91mm

Linear Ceiling lamp in double T8 LED tubes



Specification

Housing	Aluminum alloy
Cover	Milky white acrylic / diffuser plate
Voltage	110~277V
Installation	surface mounted
Ambient temperature	0°C~40°C · Humidity>90%
Note	<ul style="list-style-type: none"> ■ For T8 4ft LED tubes *1 Specification of LED tubes will be offered separately



ITEM	BEST MATCH LED TYPE	SIZE OF LUMINAIRE
BEST-OF001-T84F2	T8 4ft LED tubes*2	L 1235mm W 96mm H 58mm

Linear Ceiling lamp in single or double T8 LED tubes – grille/milky cover



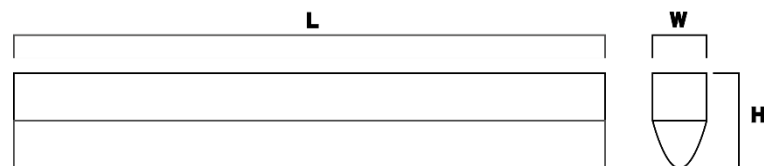
Milky cover

grille cover



規格説明

Housing	High Quality white coating with aluminum body
Cover	Plastic
Voltage	110~277V
Installation	surface mounted
Ambient temperature	0°C~40°C · Humidity>90%
Note	<ul style="list-style-type: none"> ■ For T8 4ft LED tubes Specification of LED tubes will be offered separately



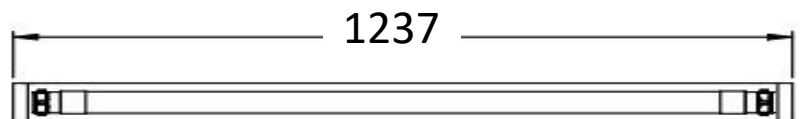
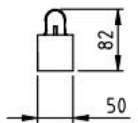
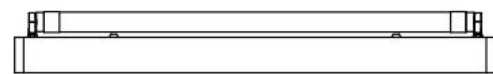
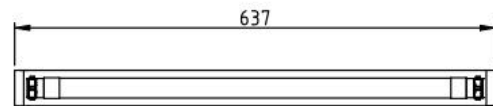
ITEM	BEST MATCH LED TYPE	SIZE OF LUMINAIRE
BEST-OF002-T84F	T8 4ft LED tubes*1	L 1240mm W 95mm H 45mm
BEST-OF002-T84F2	T8 4ft LED tubes*2	L 1240mm W 130mm H 45mm



Linear ceiling lamp with 24VDC T8 LED tube

Specification

Housing	Steel with painting
Cover	Without cover
Voltage	110~240VAC
Installation	Wall mounted or ceiling mounted
Ambient temperature	0°C~40°C · Humidity>90%
Integrated	LED driver*1
LED tubes	24V DC 600mm T8 LED tube 24V DC 1200mm T8 LED tube
Certification	CE/RoHS/UL



ITEM	T8 LED tubes (24V DC)	Size of Luminaire
BEST-OF003-T82F	T8 600mm *1	L 637mm W50mm H82mm
BEST-OF003-T84F	T8 1200mm *1	L1237mm W50mm H82mm



Benson Energy Saving Technology
Pursuing BEST lighting



Website

Email : service@best-engerysaving-tech.com

Tel : +886-6-2309930

Fex : +886-6-2309667

Add. : No. 36, Minsheng 12th St., Guiren Dist., Tainan
City 711009, Taiwan (R.O.C.)