

# LED – MR 16 Spot Light

BEST-MR16-5W30K-36V



## Features

- LED alternative to 50W halogen lamps (MR16)
- Excellent heat dissipation to extend long lifetime
- High quality Bridgelux chip (COB).
- Dimmable
- Base: GU5.3
- Color: White/Silver/Black



## Applications

- Spot Light luminaire
- Shops and exhibition rooms
- Domestic applications
- Commercial applications
- Accent lighting
- Professional lighting design for the designers



## Product family benefits

- Available working with BEST NON-DIM LED Driver.
- Available working with BEST TRIAC-DIM LED Driver.
- Available working with BEST TRIAC LIGHT MODULATOR
- Smooth and stepless dimming performance and flicker free design
- No UV and near-IR radiation in the light beam

## Technical data

### Electrical & Photometrical data

<b>Description</b>	BEST-MR16-5W30K-36V				
<b>Nominal Voltage</b>	36 V DC				
<b>Power Consumption</b>	5W				
<b>Claimed equiv. conventional lamp power</b>	50W				
<b>Luminous efficacy</b>	130lm/W				
<b>Color Temperature</b>	2700K	3000K	4000K	5000K	6000K
<b>Luminous Flux</b>	≤650lm				
<b>Color Rendering Index (CRI)</b>	Ra>80 / Ra90 / Ra95				
<b>Beam Angle</b>	10° / 15° / 36° / 24°				
<b>Socket</b>	GU 5.3				
<b>Standard deviation of color matching</b>	≤5 sdc				
<b>Flickering metric (Pst LM)</b>	1				
<b>Stroboscope effect (SVM)</b>	0,4				

**USE &  
REUSE**  
ECO-DESIGN

---

## Energy labelling regulation data acc EU 2019/2015

---

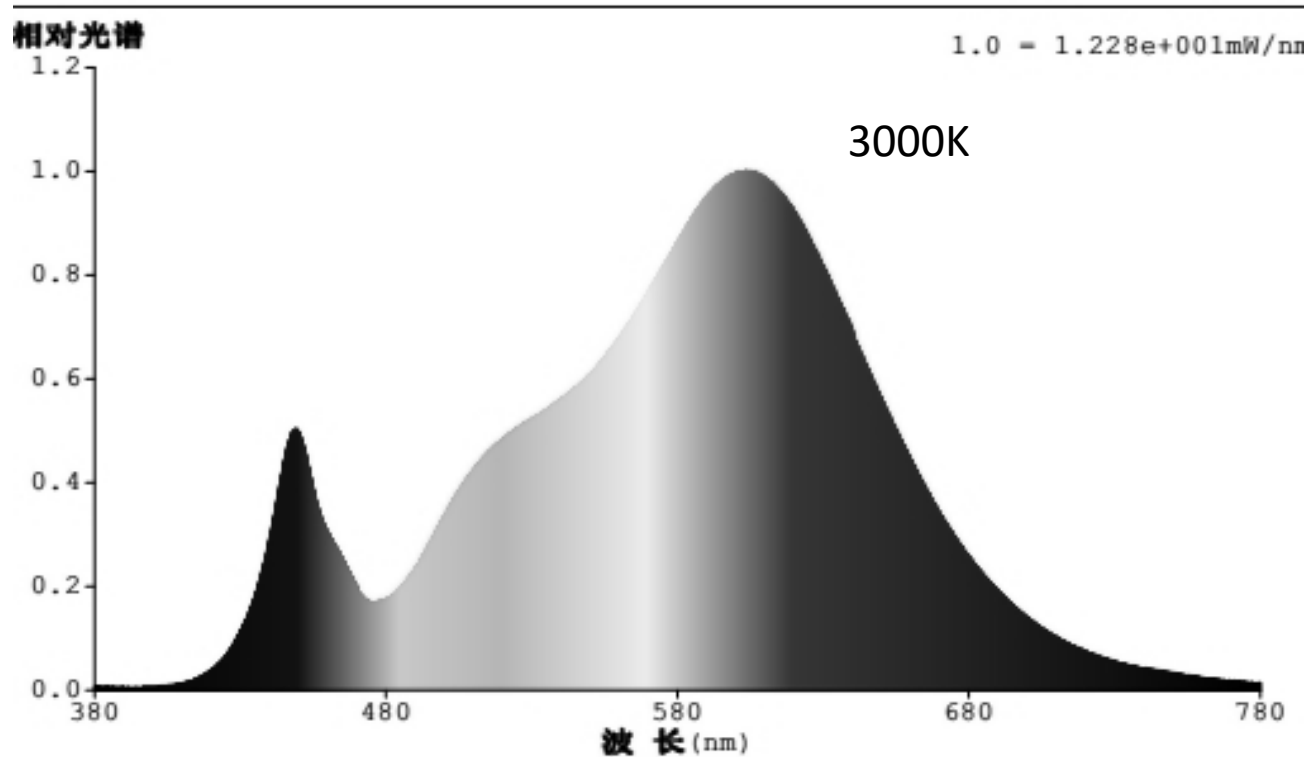
<b>Description</b>	BEST-MR16-5W30K-36V
<b>Lighting technology used</b>	LED
<b>Non-directional or directional</b>	DLS
<b>Mains or non-mains</b>	NMLS
<b>Light source cap-type</b>	GU5.3
<b>Connected light source (CLS)</b>	No
<b>Color-tunable light source</b>	No
<b>Envelope</b>	No
<b>High luminance light source</b>	No
<b>Anti-glare shield</b>	No
<b>Corelated color temperature type</b>	SINGLE VALUE
<b>Standby power</b>	0.0W
<b>Claim of equivalent power</b>	Yes
<b>Length</b>	51.5mm
<b>Height</b>	49.5mm
<b>Width</b>	49.5mm
<b>Chromaticity coordinate x</b>	0,4352
<b>Chromaticity coordinate y</b>	0,4058
<b>R9 color rendering index</b>	1
<b>Beam angle correspondence</b>	Narrow cone 90

# Product datasheet

Survival factor 0.9

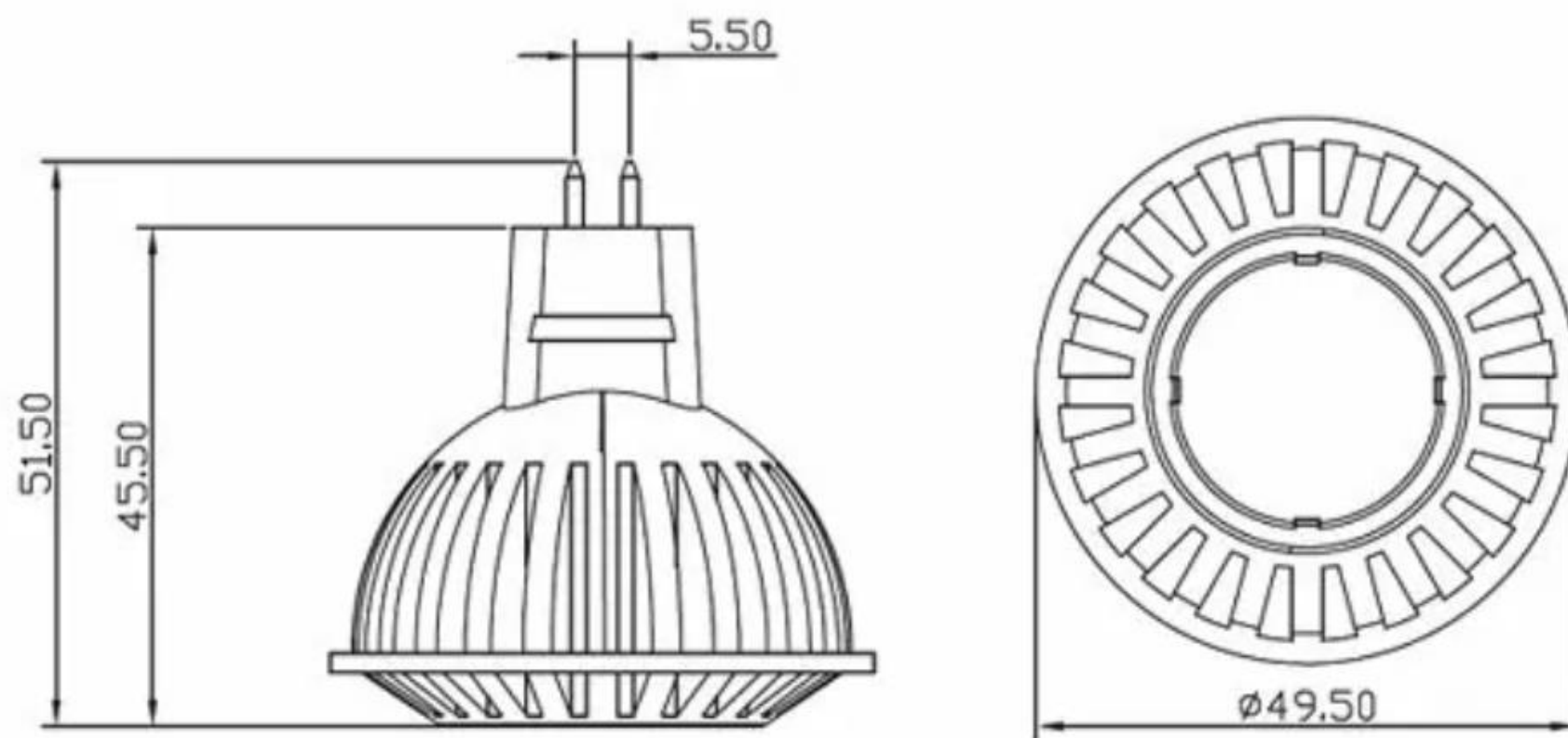
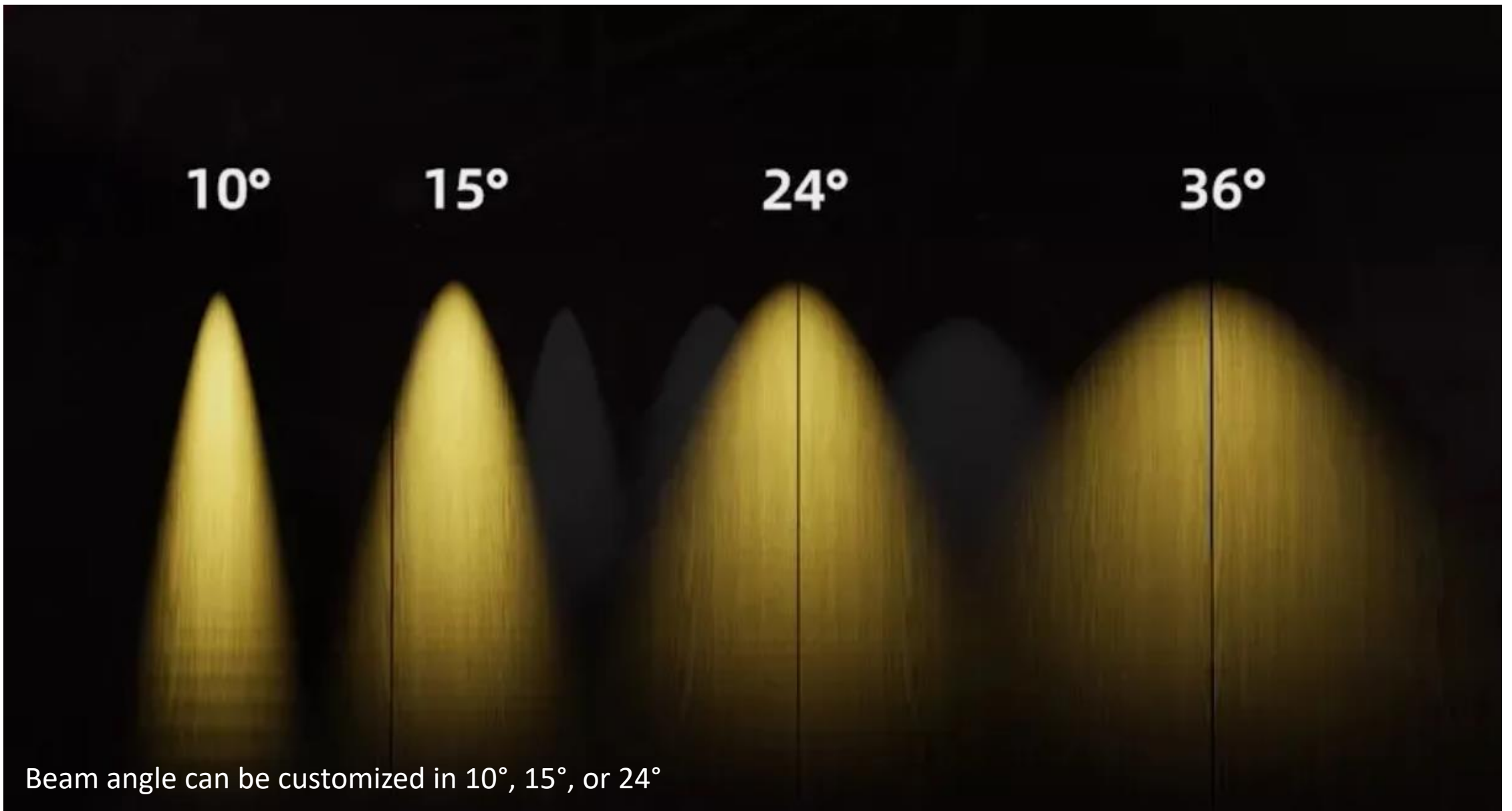
Displacement factor 0.5

LED light source replaces a fluorescent light source No



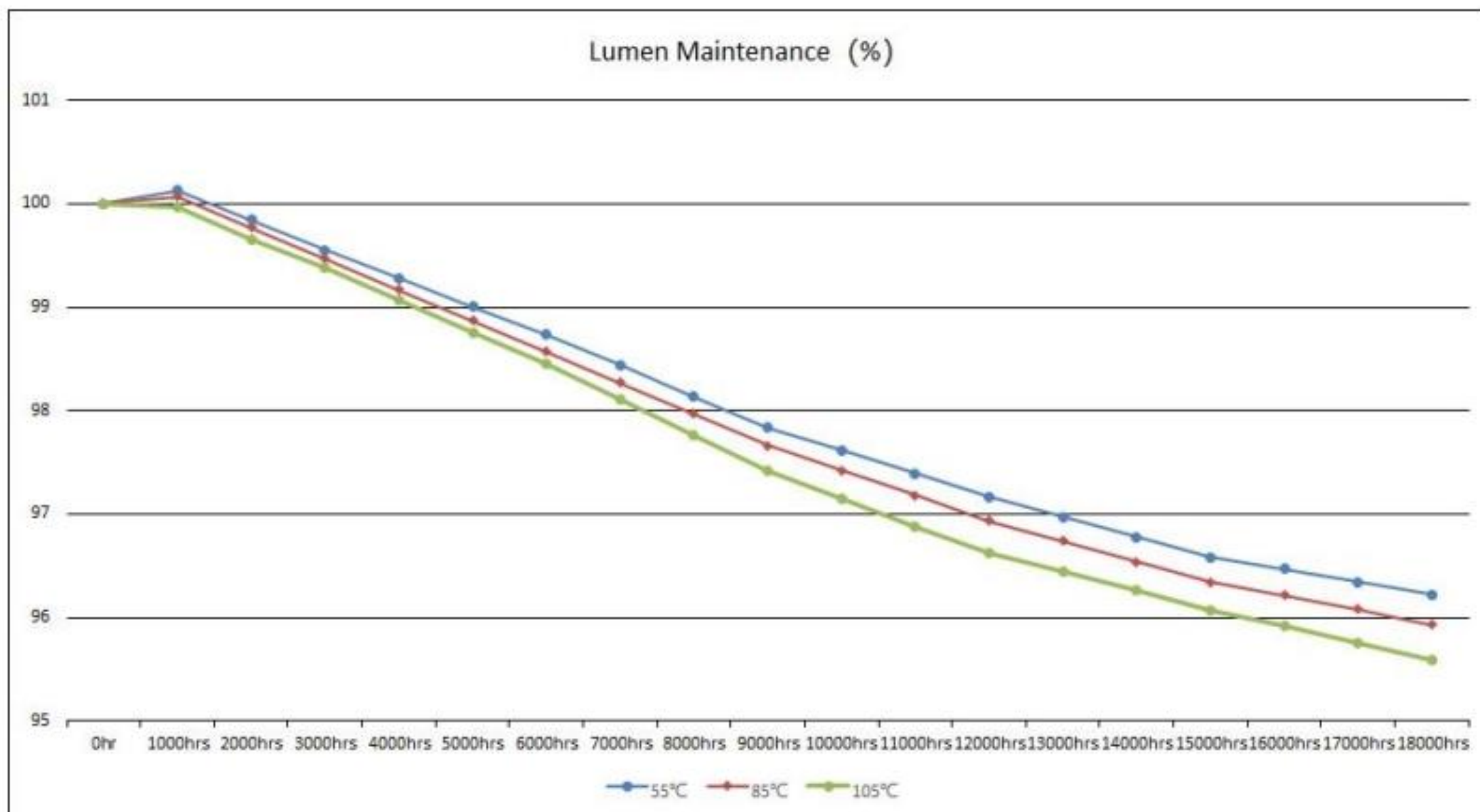
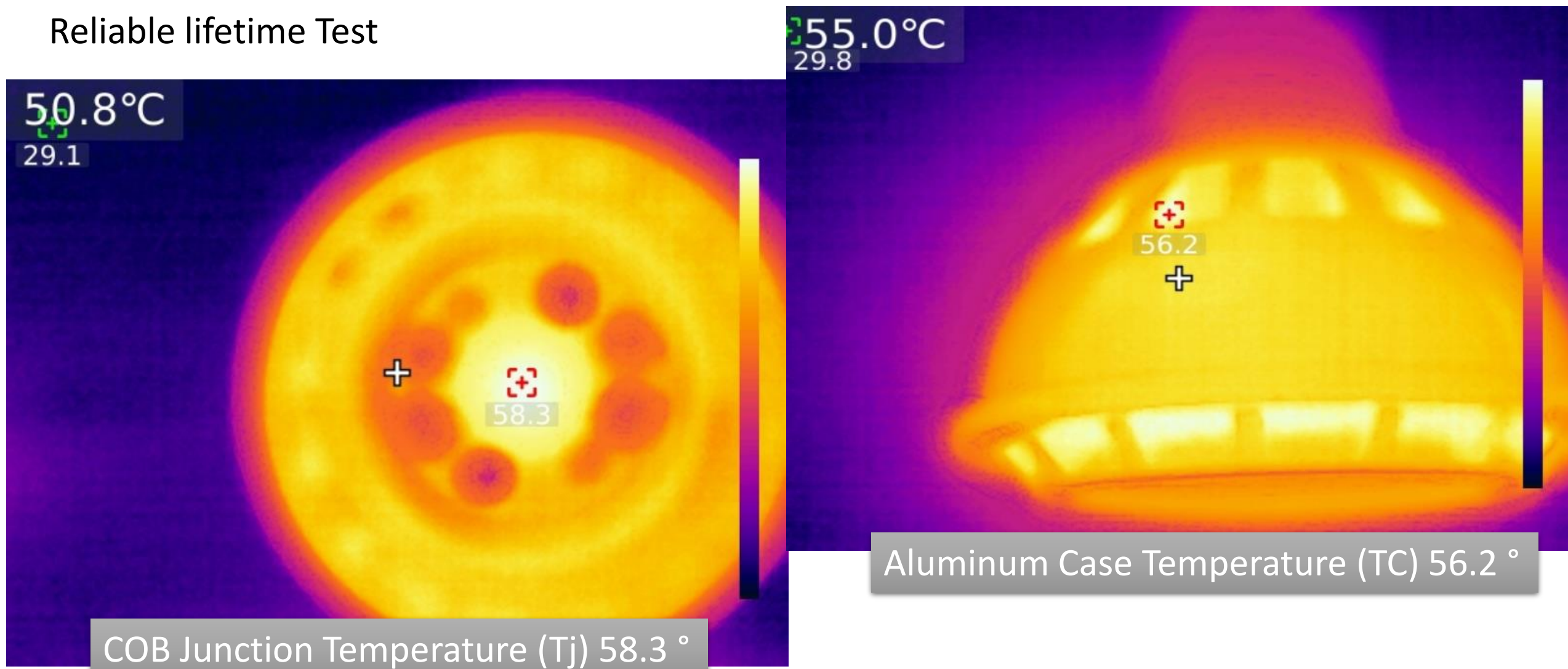
**USE &  
REUSE**  
ECO-DESIGN

## Standard beam angle 36 ° lighting performance



**USE &  
REUSE**  
ECO-DESIGN

## Reliable lifetime Test



**USE &  
REUSE**  
ECO-DESIGN